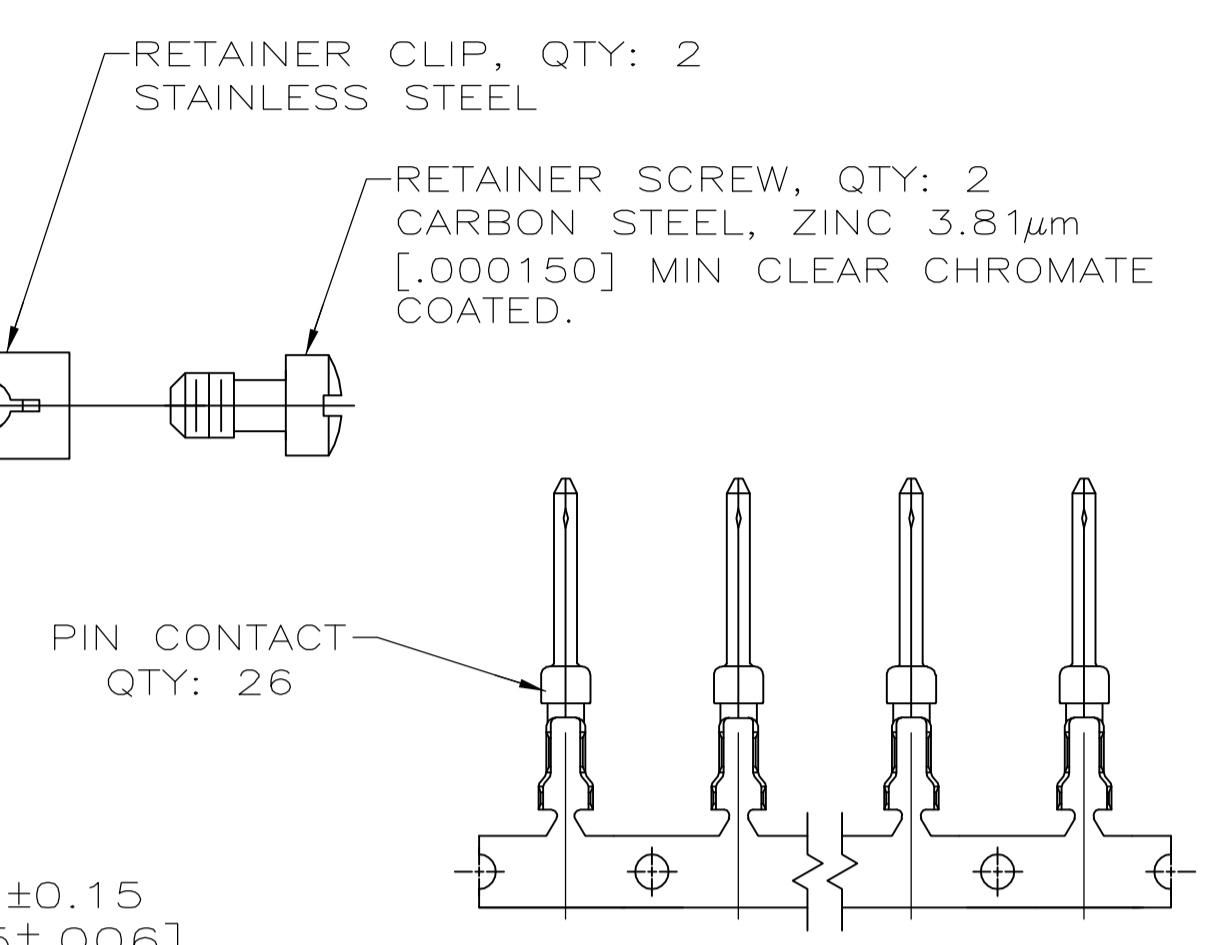
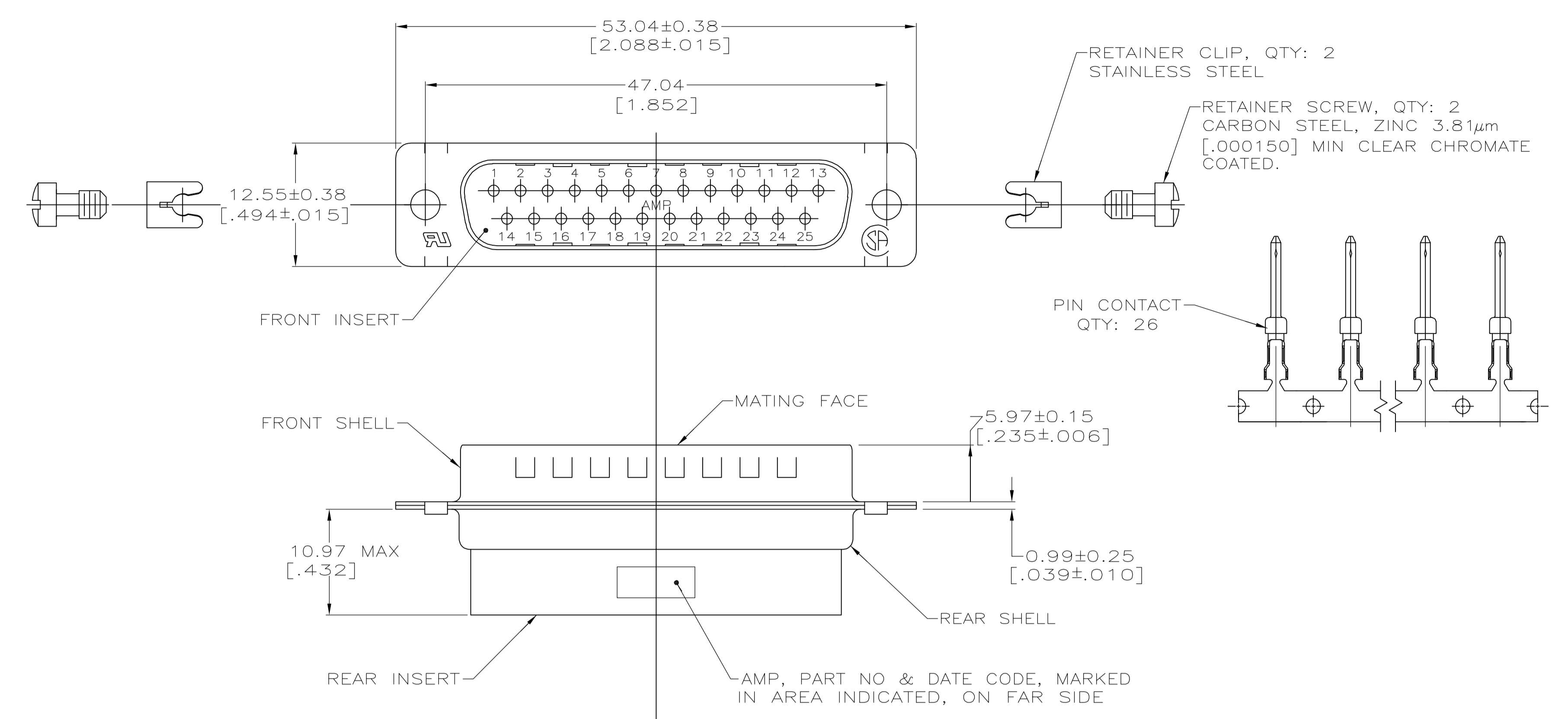
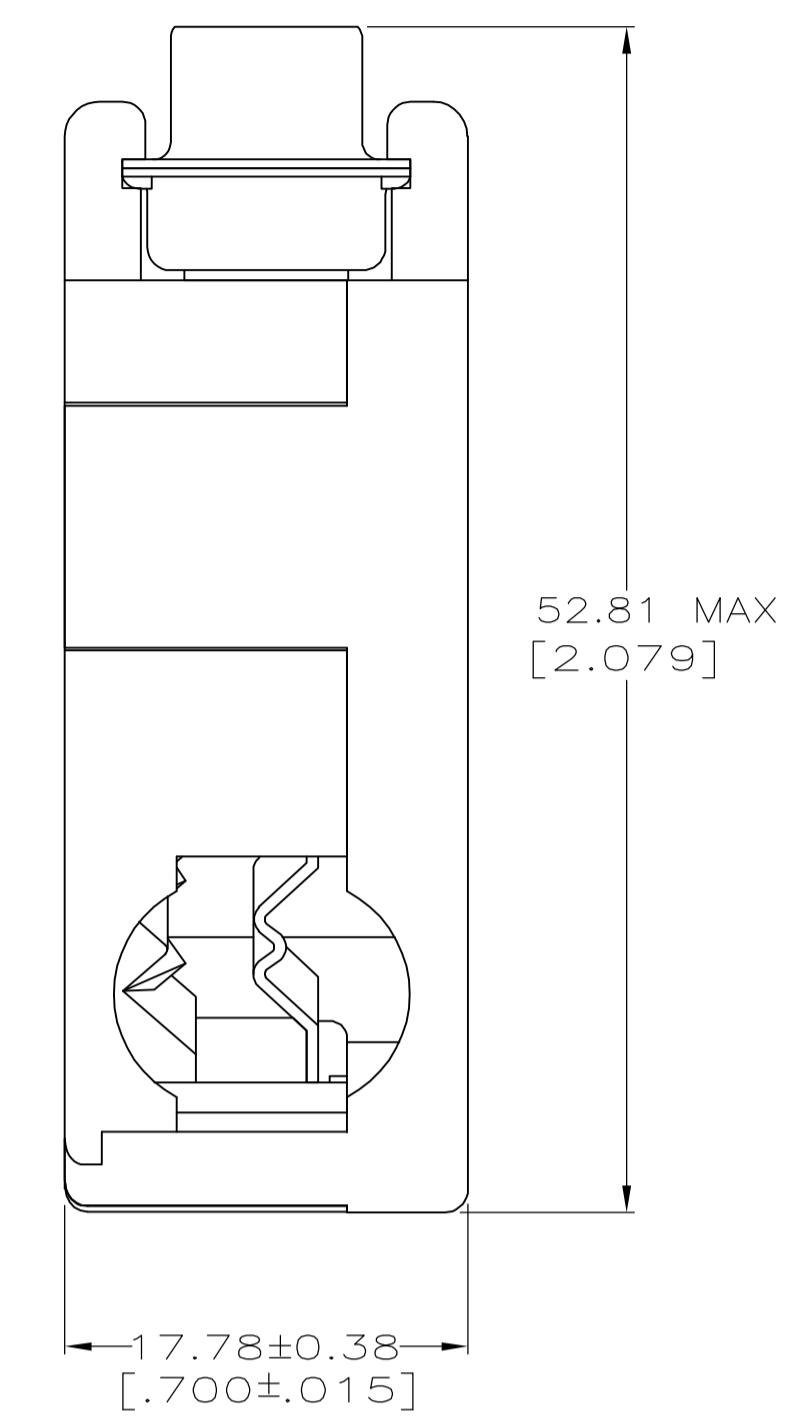


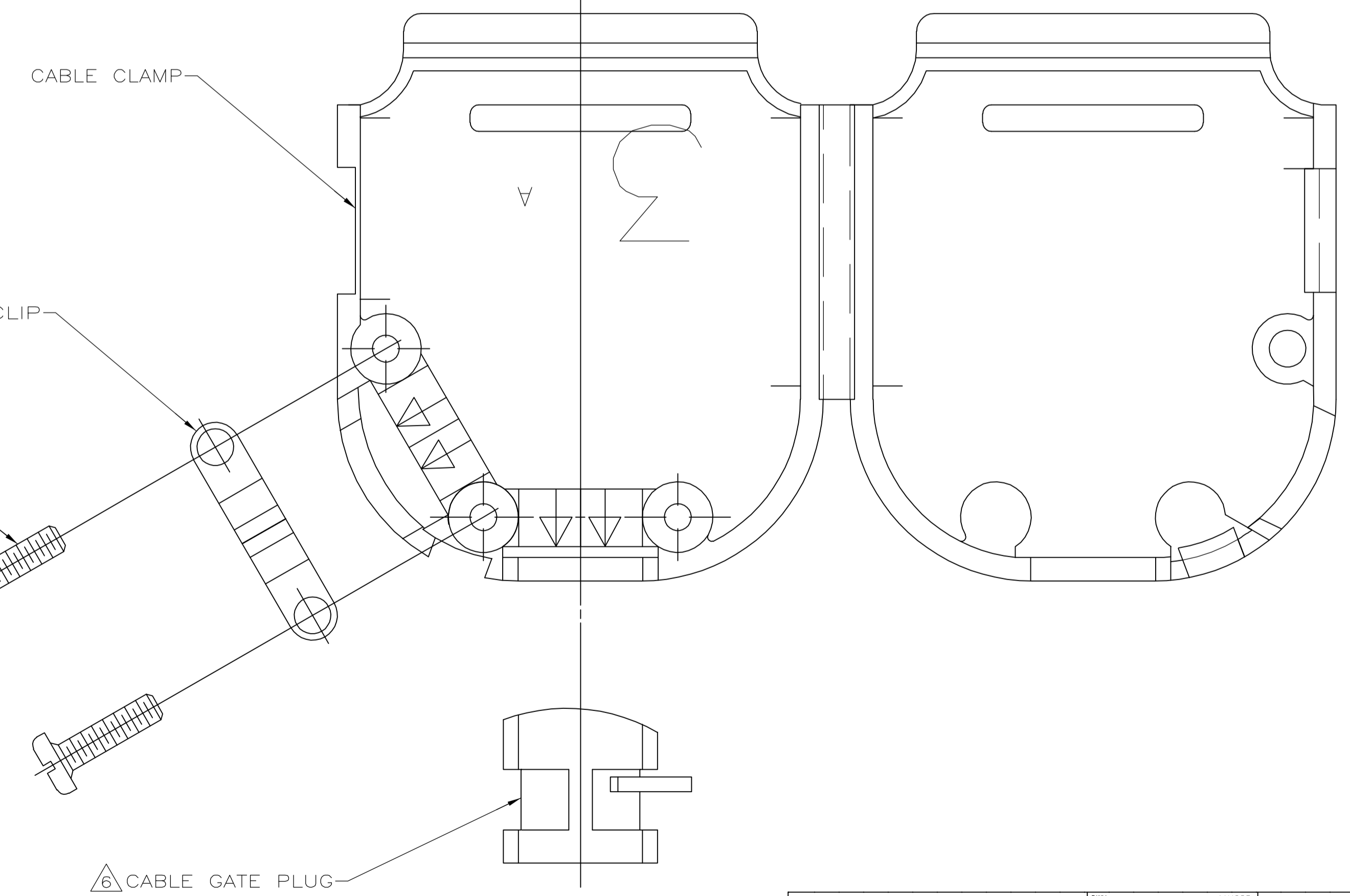
ASSEMBLED VIEW



1. CONTACTS ACCEPT 20-24 AWG RANGE.
2. INSERTS: NYLON, GLASS FILLED, UL 94V-0 RATED, BLACK.
3. CABLE CLAMPS: POLYPROPYLENE, BLACK
4. CONTACTS: BRASS.
5. SHELLS: CARBON STEEL.
6. CABLE GATE PLUG TO BE PLACED IN CABLE EXIT NOT BEING USED.
7. CONTACTS: GOLD FLASH FOR A LENGTH OF 3.81[.150] MIN FROM MATING END, 2.54µm[.000100] MIN TIN ON OPPOSITE END FOR A LENGTH OF 4.06 [.160] MIN FROM END OF INSULATION BARREL, BOTH OVER 0.76µm[.000030] MIN NICKEL ON ENTIRE CONTACT.
8. SHELLS: 5.08µm[.000200] MIN TIN OVER 2.54µm[.000100] MIN COPPER.
9. STRAIN RELIEF CLIP CAN BE REVERSED FOR PROPER INSTALLATION, DEPENDING ON SIZE OF CABLE DIAMETER.
10. STRAIN RELIEF CLIP AND SELF TAPPING SCREWS MAY BE USED AT EITHER CABLE EXIT.
11. CABLE DIAMETER RANGE = 4.58-11.68 [.180-.460].

9/10 STRAIN RELIEF CLIP
 STAINLESS STEEL
 PASSIVATED

10 SELF TAPPING SCREW, QTY: 2
 CARBON STEEL, ZINC PLATED,
 CLEAR CHROMATE COATED.



749808-7
 PART NO

THIS DRAWING IS A CONTROLLED DOCUMENT.		DIN J. REITZEL 1AUG03	Tyco Electronics Corporation Harrisburg, PA 17105-3608
DIMENSIONS: mm [INCHES]		CHK S. BOLASH 1AUG03	
TOLERANCES UNLESS OTHERWISE SPECIFIED:		APPD M. WAMSLEY 1AUG03	PLUG KIT, UNASSEMBLED, SIZE 3, 25 POSITION, AMPLIMITE HDP-20
0 PLC ± -		NAME	
1 PLC ± -		PRODUCT SPEC	108-40005
2 PLC ± ± 0.13[.005]		APPLICATION SPEC	114-40030
3 PLC ± -		SIZE	A1
4 PLC ± -		WEIGHT	00779
ANGLES ± -		DRAWING NO	749808-7
FINISH		CUSTOMER DRAWING	SCALE 2:1 SHEET 1 OF 1 REV A